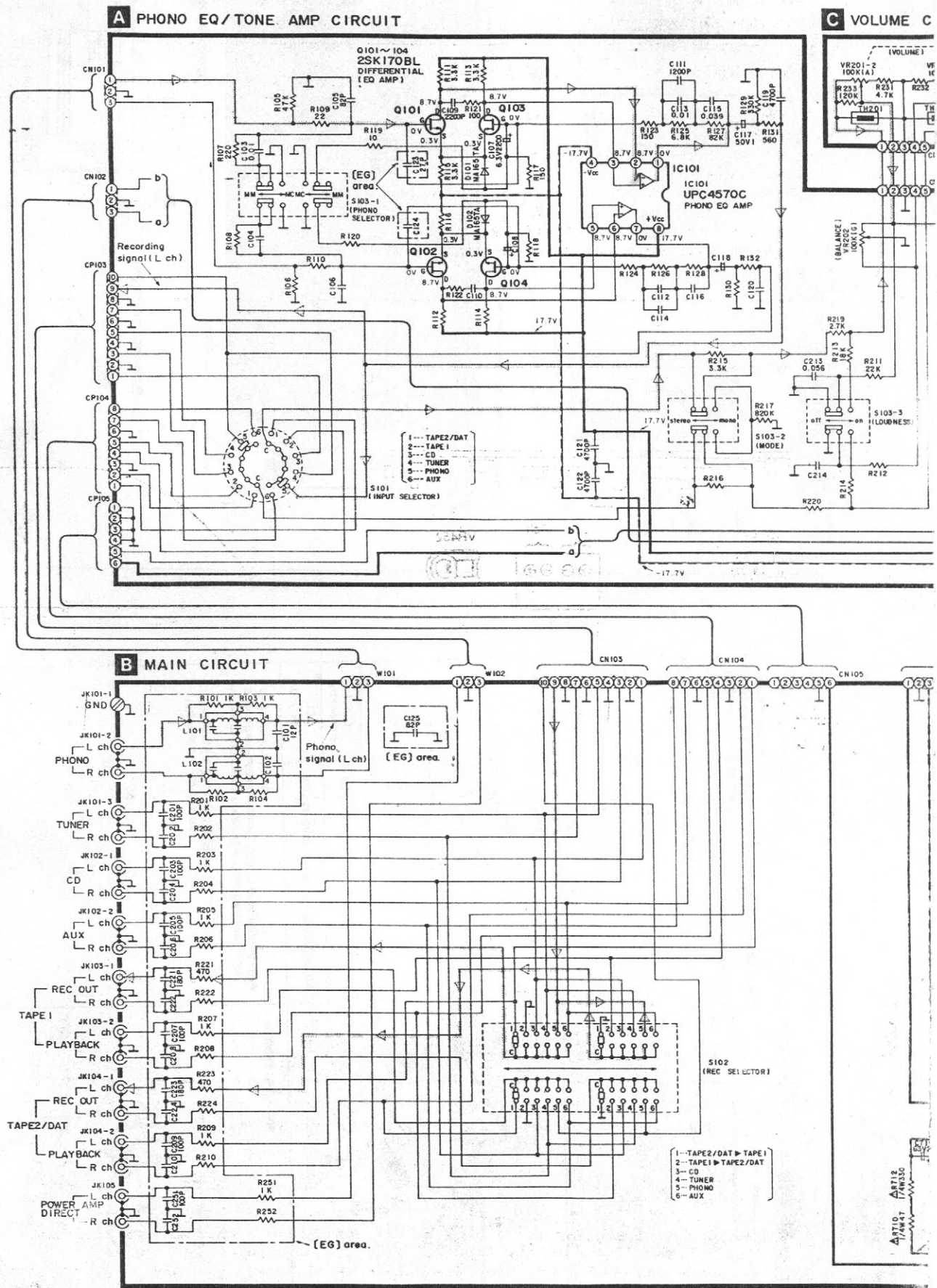


# SCHEMATIC DIAGRAM

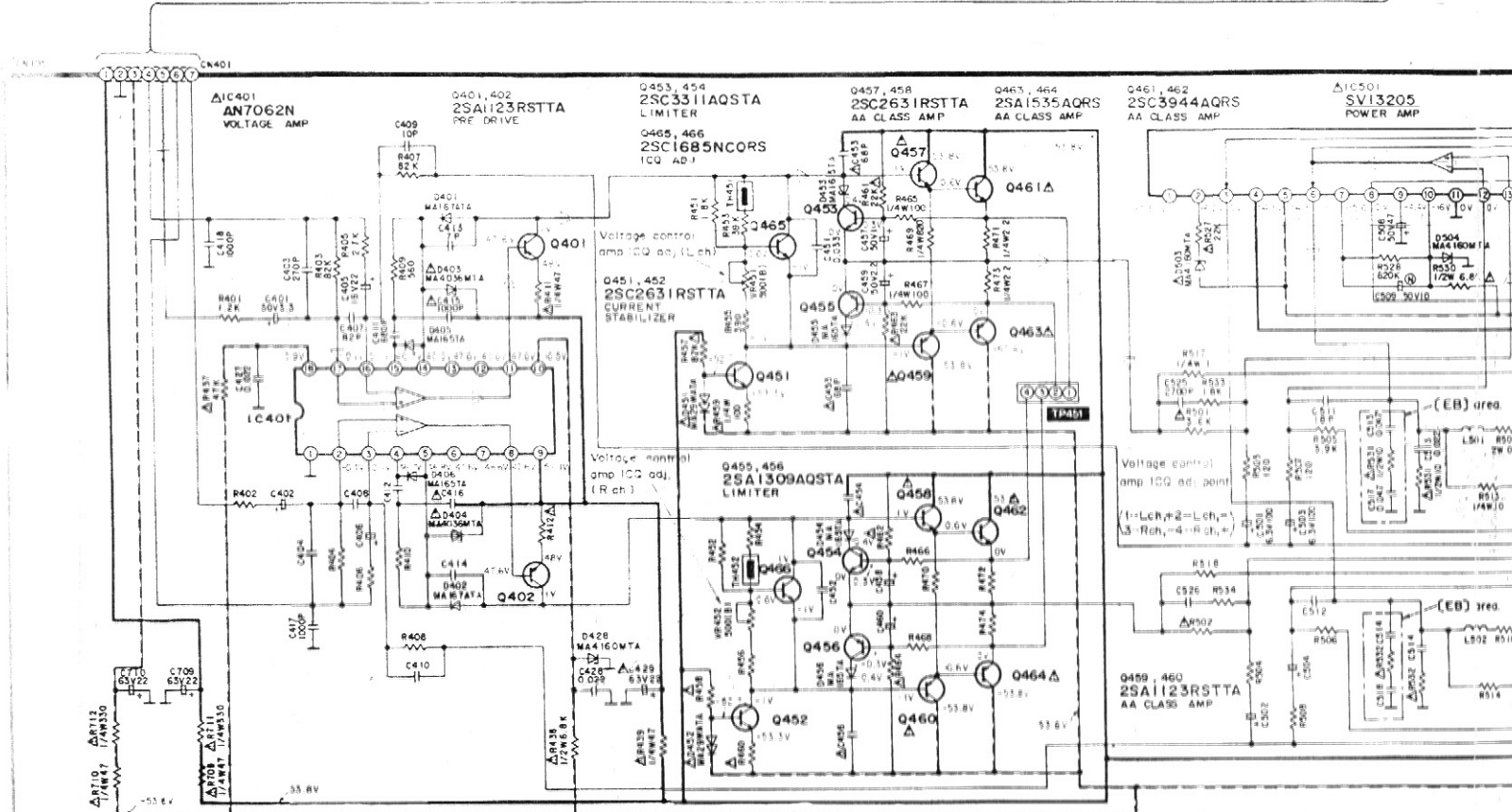
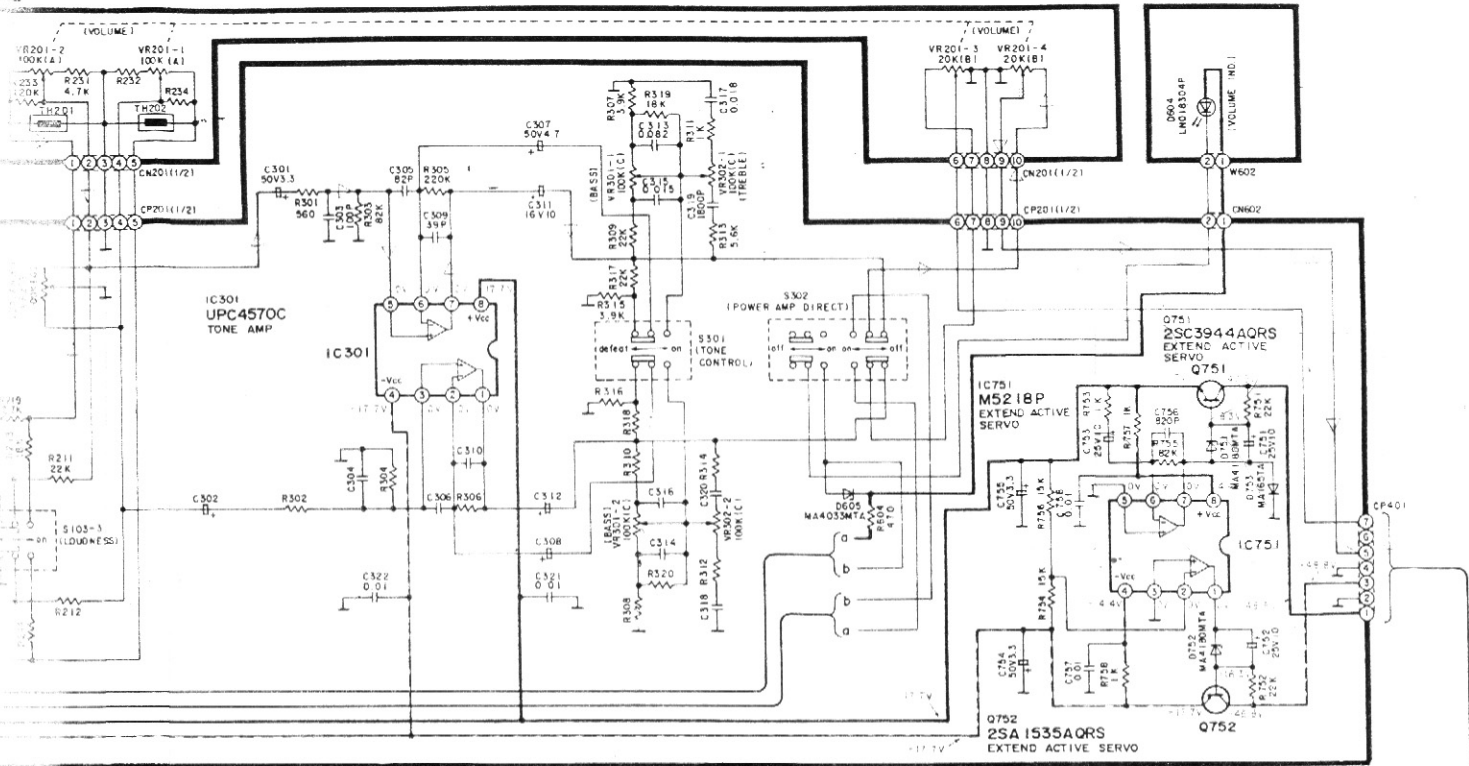
A  
B  
C  
D  
E  
F



ART12  
1/74  
W36

VOLUME CIRCUIT

D LED (VOLUME IND.) CIRCUIT



(This schematic diagram may be modified at any time with the development of new technology.)

**Notes:**

- S1 : Power switch in "on" position.
- S101 : Input selector switch in "phono" position.
- S102 : Recording output selector switch in "tape 2/ DAT▶ 1" position.
- S103-1 : Phono cartridge selector switch in "MM" position.
- S103-2 : Mode selector switch in "stereo" position.
- S103-3 : Loudness switch in "off" position.
- S301 : Tone control switch in "defeat" position.
- S302 : Power amplifier direct switch in "off" position.
- S501-1 : Speaker (A) selector switch in "off" position.
- S501-2 : Speaker (B) selector switch in "off" position.
- : Positive voltage lines
- - - : Negative voltage lines
- ⋯ : Phono Signal (Lch)
- ⋯ : Recording Signal

•Indicated voltage values are the standard values for the unit measured by the DC electronic circuit tester (high-impedance) with the chassis taken as standard. Therefore, there may exist errors in the voltage values, depending on the internal impedance of the DC circuit tester.

**Important safety notice:**

Components identified by  $\Delta$  mark have special characteristics important for safety. When replacing any of these components, use only manufacturer's specified parts.

**\*Caution!**

- IC and LSI are sensitive to static electricity.
- Secondary trouble can be prevented by taking care during repair.
- \*Cover the parts boxes made of plastics with aluminum foil.
- \*Ground the soldering iron.
- \*Put a conductive mat on the work table.
- \*Do not touch the legs of IC or LSI with the fingers directly.

